

cULUS
RoHS Compliant

E222871

Process Sealed Miniature Rocker

Specifications

Electrical Ratings	5A @ 120VAC, 28VDC 2A @ 250VAC See Contact Options	Dielectric Strength	1500Vrms min
Electrical Life	30,000 cycles typical	Insulation Resistance	>100MΩ min
Contact Resistance	<20mΩ initial @ 2-4VDC, 100mA	Operating Temperature	-40°C to 85°C
		Storage Temperature	-40°C to 85°C
		Sealing Degree	IP67

Materials

Actuator	6/6 Nylon, Glass Filled, Flame Retardant Heat Stabilized, UL94V-0
Housing	6/6 Nylon, Glass Filled, Flame Retardant Heat Stabilized, UL94V-0
Support Bracket	Brass, Tin Plated
Contacts	Copper Alloy, Silver Plated or Gold Plated
Terminals	Copper Alloy, Silver Plated or Gold Plated

ASR

Process Sealed Miniature Rocker

Ordering Information

1. Series	ASR	1	3	R11	2			C	Q
ASR									
2. Number of Poles									
1 = SPDT									
2 = DPDT									
3 = 3PDT									
3. Switch Function									
1 = ON-NONE-ON									
2 = ON-NONE-(ON)									
3 = ON-OFF-ON									
4 = (ON)-OFF-(ON)									
5 = ON-OFF-(ON)									
6 = ON-ON-ON **See Three Way Wiring Section for details									
4. Actuator									
R11P / R11 = Rocker, PC mount / Panel mount									
R21P / R21 = Rocker, PC mount / Panel mount									
P13P / P13 = Paddle, PC mount / Panel mount									
P23P / P23 = Paddle, PC mount / Panel mount									
R15P = Rocker, PC mount									
R43P = Rocker, PC mount									
R47P = Rocker, PC mount									
R48P = Rocker, PC mount									
5. Actuator Color									
1 = White									
2 = Black									
3 = Red									
4 = Orange									
5 = Yellow									
6 = Green									
7 = Blue									
8 = Brown									
9 = Gray									
6. Actuator Marking Style									
Blank = No Marking									
A, B, C, D, E, F, G									
7. Actuator Marking Color									
Blank = No marking									
W = White, standard									
B = Black									
8. Terminals									
B = Solder Lugs									
C = PC pin									
D = Quick Connect									
H = Horizontal mount, right angle PC pin									
HS = Horizontal mount, right angle Snap-in									
V = Vertical mount, right angle PC pin									
VS = Vertical mount, right angle Snap-in									
S20 = PC pin with support bracket									
S25 = PC pin with support bracket									
V20 = Snap-in support bracket									
V25 = Snap-in support bracket									
9. Contacts									
Q = Silver plated									
R = Gold plated									
G = Gold over Silver plated									

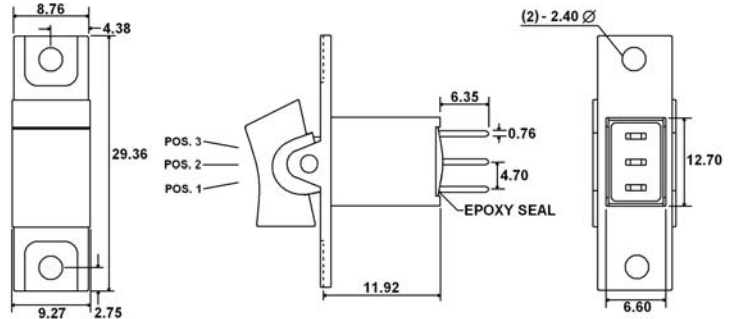
Switch Function



SPDT



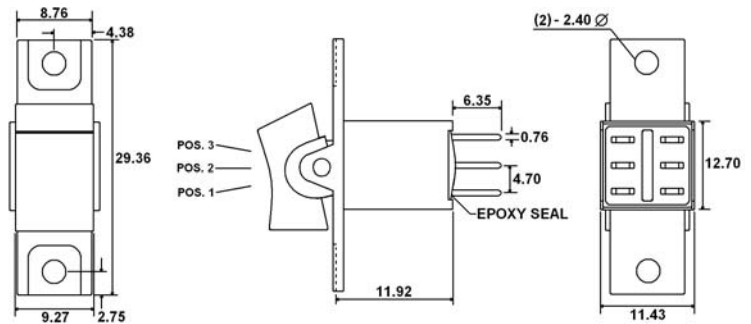
Function	Rocker Position		
1	ON	NONE	ON
2	ON	NONE	(ON)
3	ON	OFF	ON
4	(ON)	OFF	(ON)
5	ON	OFF	(ON)
Terminals	2-3	-	2-1



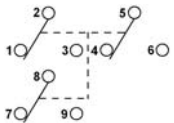
DPDT



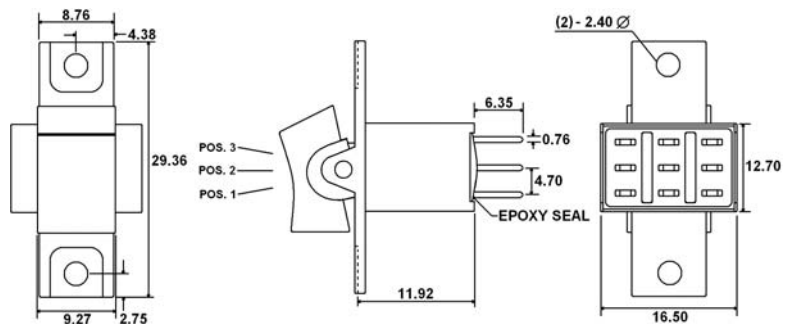
Function	Rocker Position		
1	ON	NONE	ON
2	ON	NONE	(ON)
3	ON	OFF	ON
4	(ON)	OFF	(ON)
5	ON	OFF	(ON)
Terminals	2-3	-	2-1
6	ON	ON	ON
Terminals	2-3 5-6	2-3 5-4	2-1 5-4



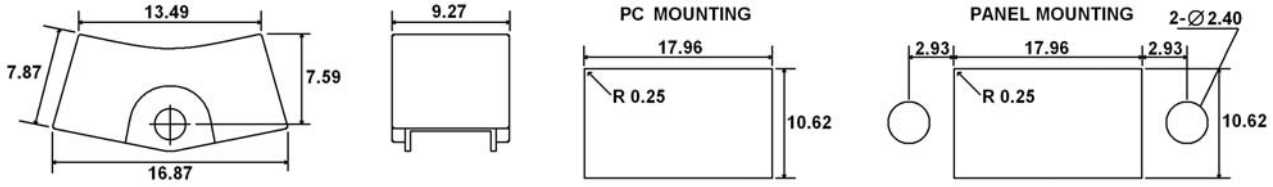
3PDT



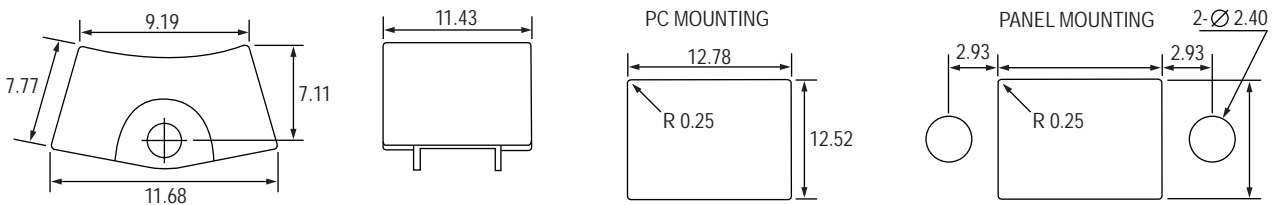
Function	Rocker Position		
1	ON	NONE	ON
2	ON	NONE	(ON)
3	ON	OFF	ON
4	(ON)	OFF	(ON)
5	ON	OFF	(ON)
Terminals	2-3 5-6 8-9	-	2-1 5-4 8-7



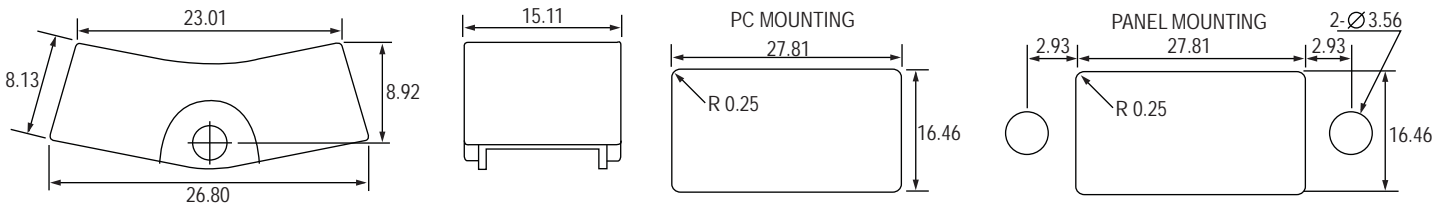
Actuator Options



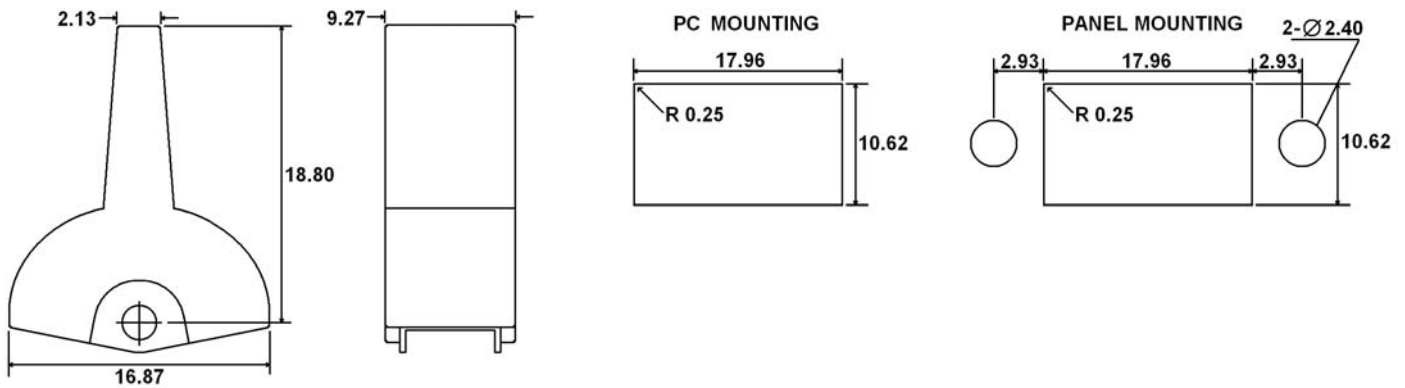
R11P / R11



R21P / R21

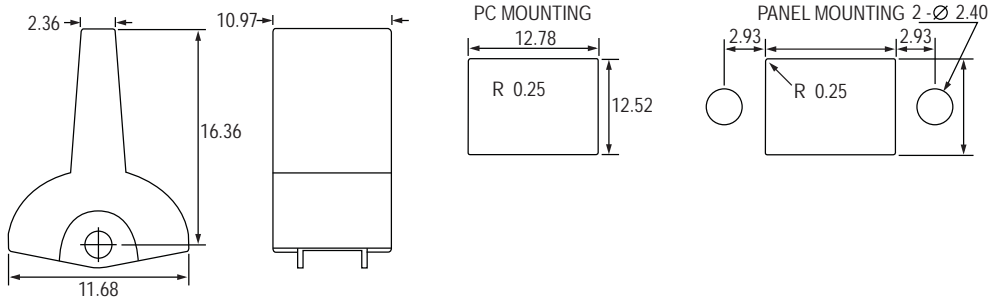


R15P

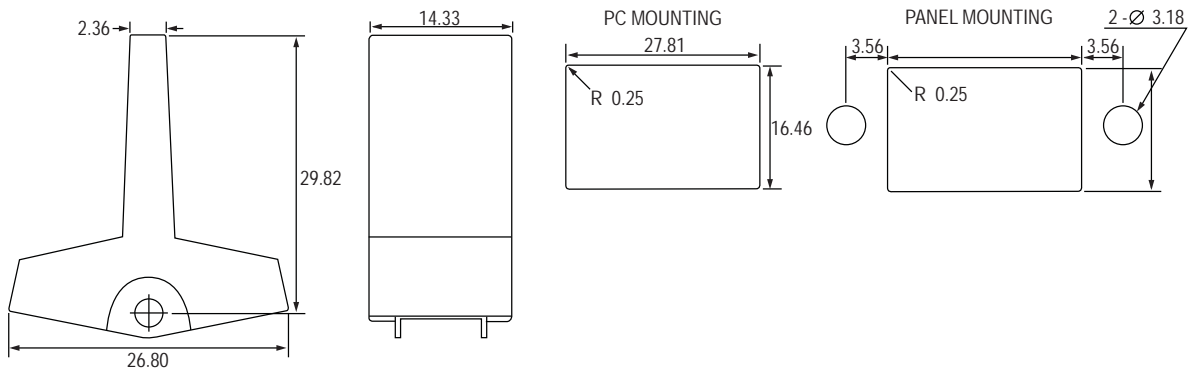


P13P / P13

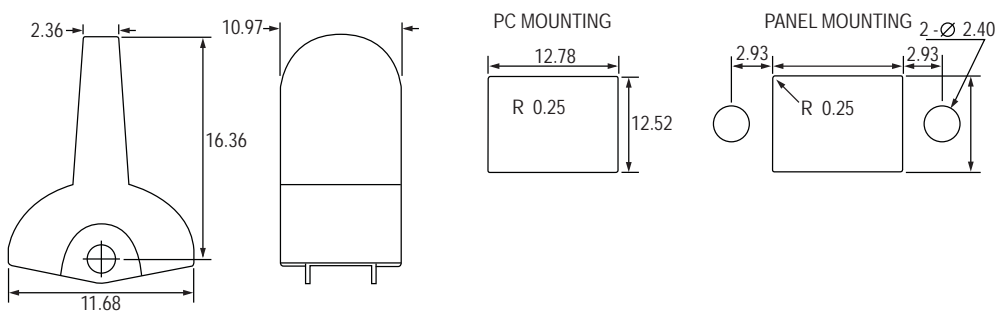
Actuator Options



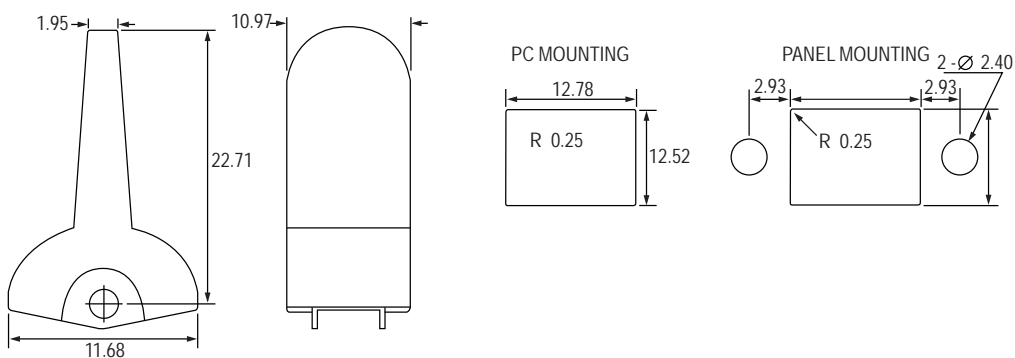
P23P / P23



P43P



P47P

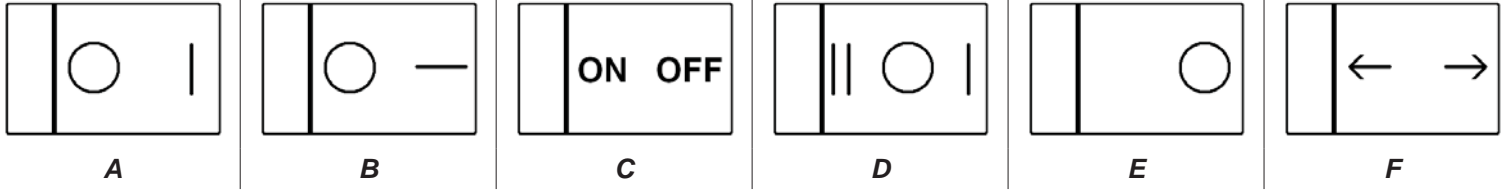


P48P

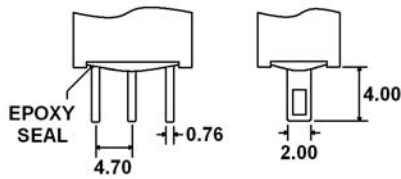
ASR

Process Sealed Miniature Rocker

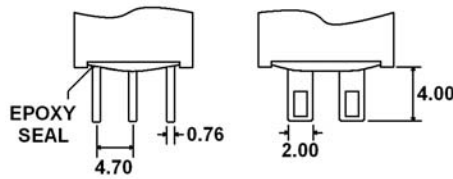
Actuator Markings



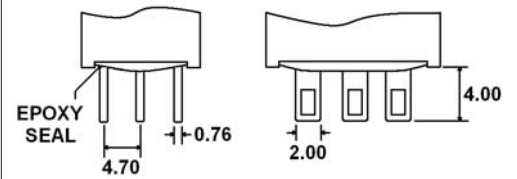
Terminal Options



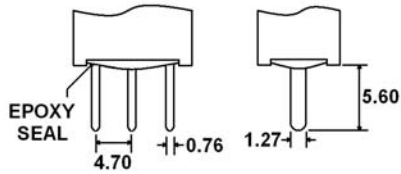
B Single Pole



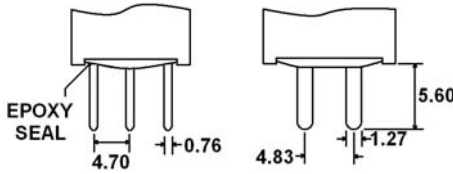
B Double Pole



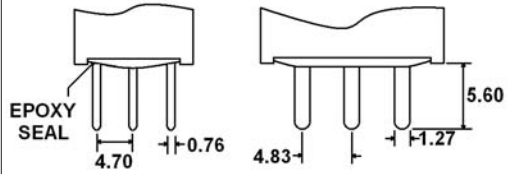
B 3Pole



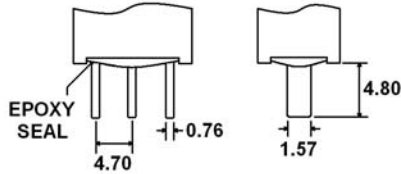
C Single Pole



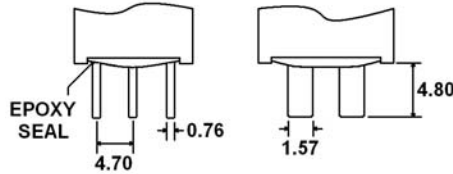
C Double Pole



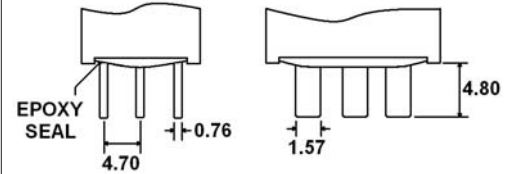
C 3Pole



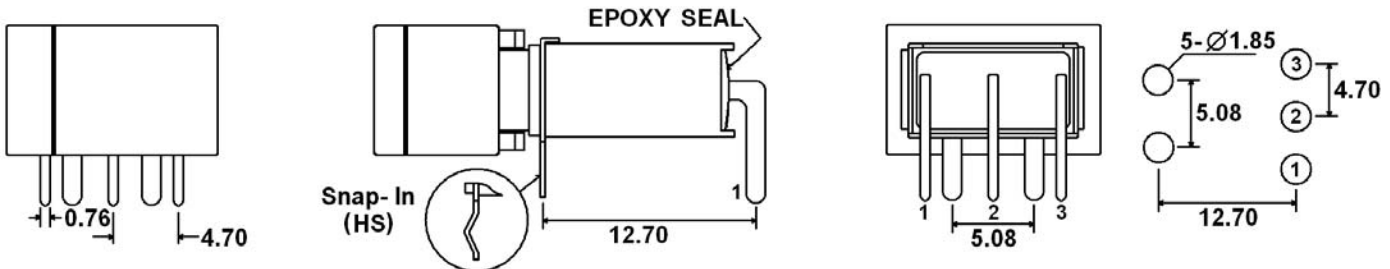
D Single Pole



D Double Pole

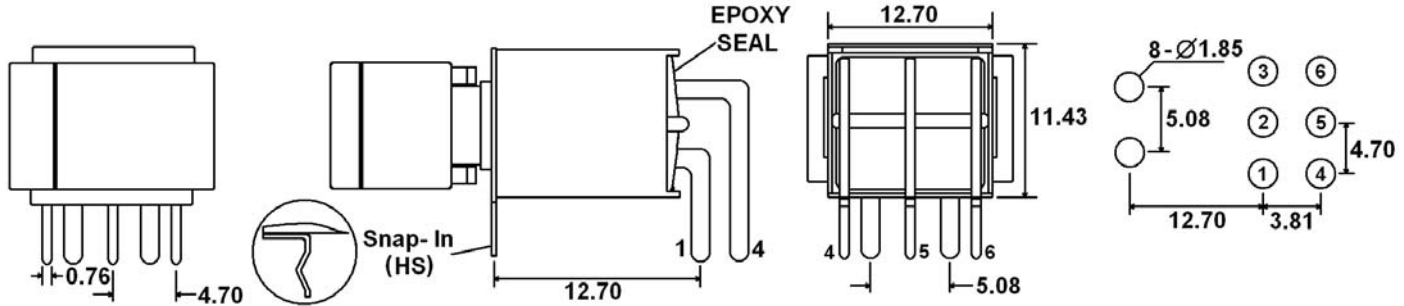


D 3Pole

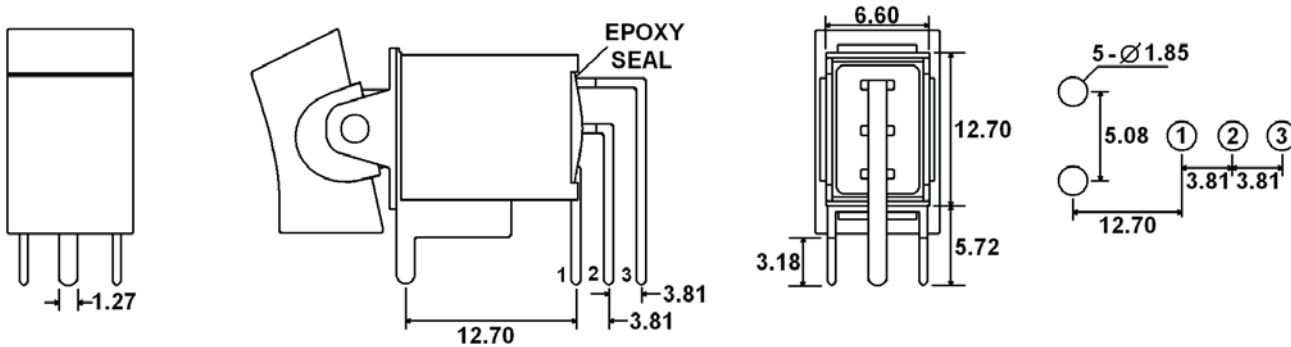


H (HS - Snap-In) = Horizontal mount, right angle PC pins, single pole

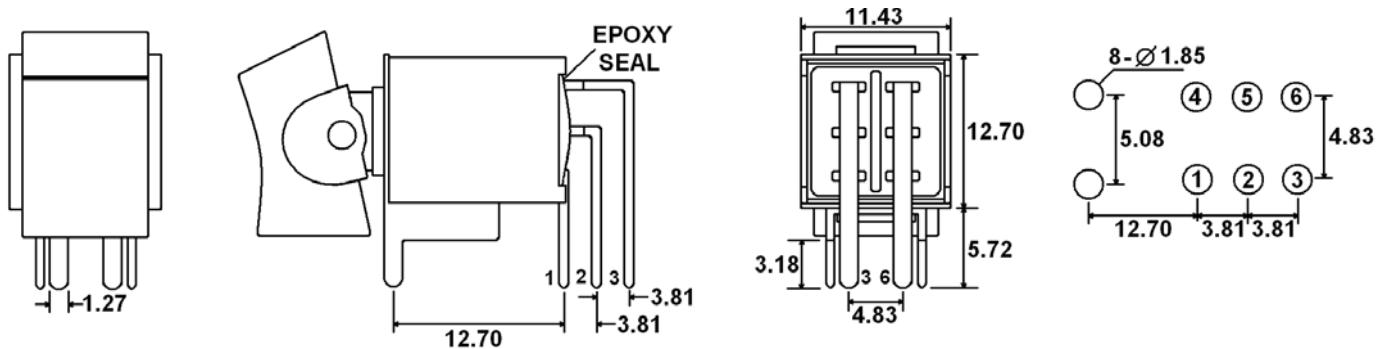
Terminal Options



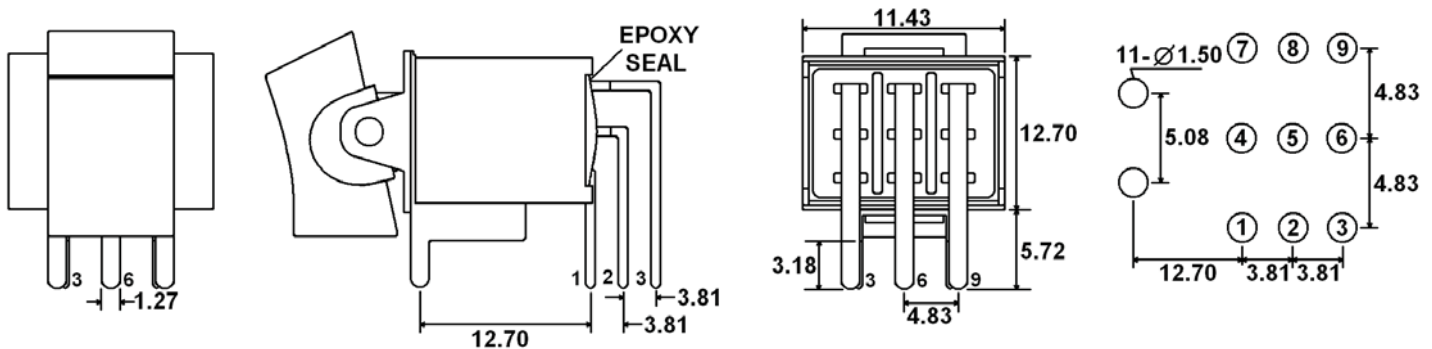
H (HS - Snap In) = Horizontal mount, right angle PC pins, double pole



V = Vertical mount, right angle PC pins, single pole



V = Vertical mount, right angle PC pins, double pole

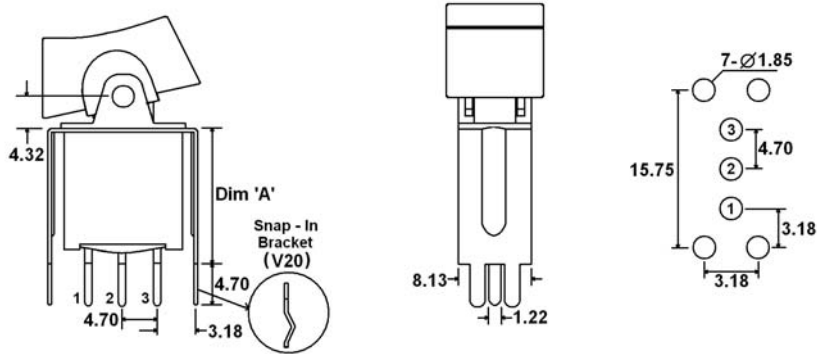


V = Vertical mount, right angle PC pins, three pole

ASR

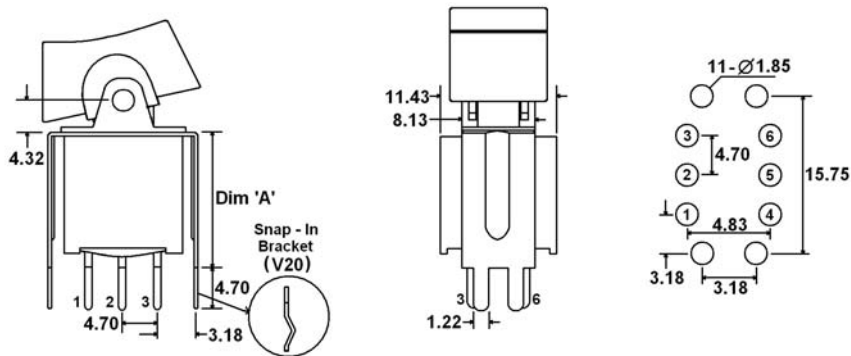
Process Sealed Miniature Rocker

Terminal Options



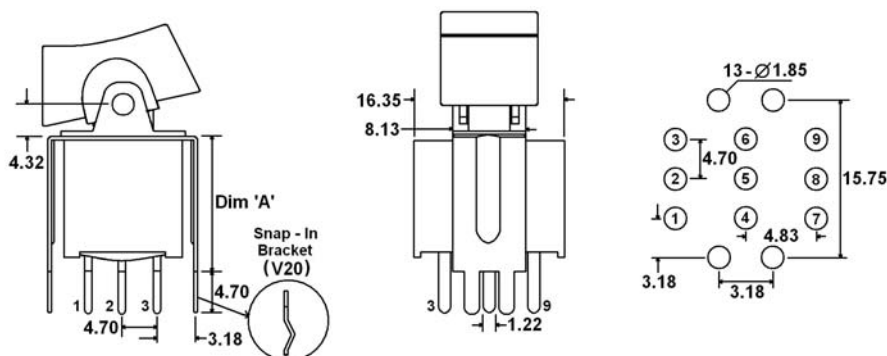
Terminal Option	"A" Dimension
S20 / V20	11.68
S25 / V25	16.00

S20 / S25 (V20/V25 - Snap in bracket) = PC pins with support bracket, single pole



Terminal Option	"A" Dimension
S20 / V20	11.68
S25 / V25	16.00

S20 / S25 (V20/V25 - Snap in bracket) = PC pins with support bracket, double pole



Terminal Option	"A" Dimension
S20 / V20	11.68
S25 / V25	16.00

S20 / S25 (V20/V25 - Snap in bracket) = PC pins with support bracket, three pole